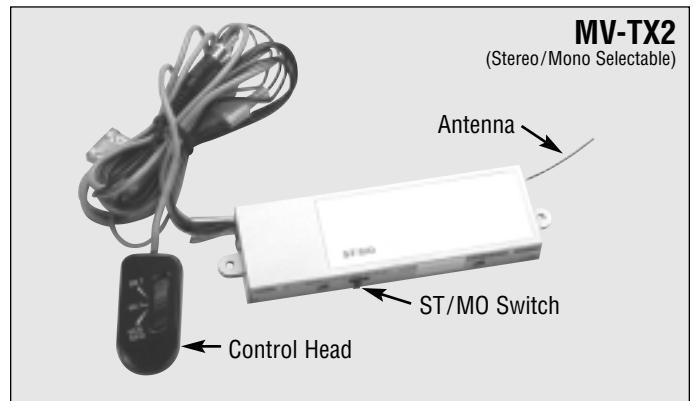
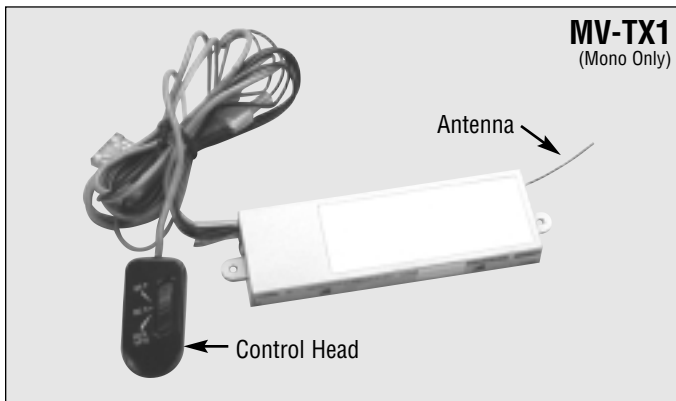




## MV-TX1/MV-TX2 Installation and Operations Manual

### Introduction:

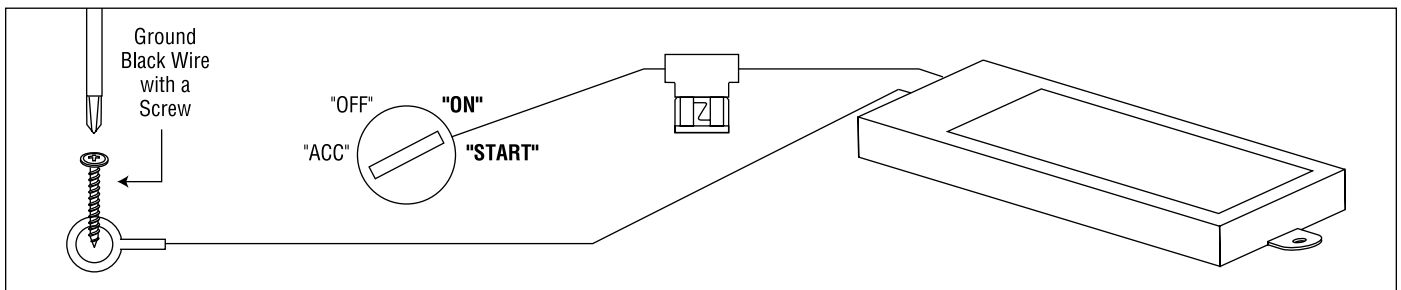
The MV-TX1 and MV-TX2 are FM radio signal transmitters design to accept audio signals from various signal sources such as VCR audio outputs, Video games and Camcorder audio outputs or a headphone/external speaker output from a television set (MV-TX1) and convert the signals to FM radio signals. The converted FM signal can then be received by any FM radio receiver from one of the 3 selectable frequencies provided on the control head.



### Installation: (General)

1. Choose a location to mount the MV-TX unit. It is recommended to locate the MV-TX unit close to the "AUDIO" signal source or within the length of the input wire leads.
2. The MV-TX can be mounted by using screws, wire ties, velcro or double face tape.
 

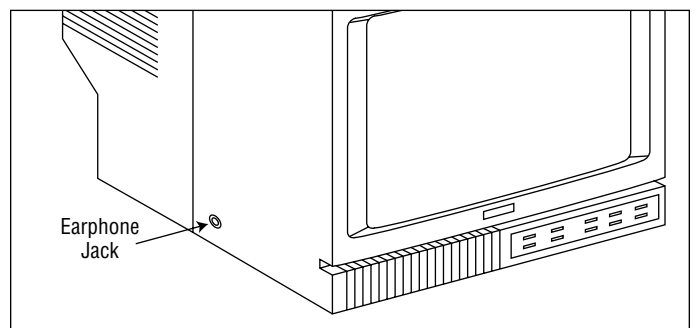
**Note:** Make sure that the antenna wire is in a "VERTICAL" position for best performance.
3. Connect the "RED" wire to a switched +12vdc source. This wire connection should be controlled by turning "ON" and "OFF" the vehicles ignition key.
  4. Connect the "BLACK" wire to the "CHASSIS" of the vehicle (GROUND).
  5. Attach the "CONTROL HEAD" in the desired location using the velcro supplied. **WARNING!** Do not attempt to lengthen the control head cable. This will greatly diminish the performance of the MV-TX unit.
  6. Set the "ST/MO" switch on the main control box to "ST". (MV-TX2 Only)



### Input Connection: (MV-TX1)

**Note:** The input of the MV-TX1 is "MONO". If the headphone jack or external speaker jack you are connecting into is "STEREO", the MV-TX1 can not be used.

1. Locate the "HEADPHONE" output jack or the "EXTERNAL SPEAKER" output jack on the unit you are connecting to the MV-TX1.
2. Insert the "MINI PHONE" plug of the MV-TX1 (brown and black wires) into the jack on the unit you are connecting to the MV-TX1.

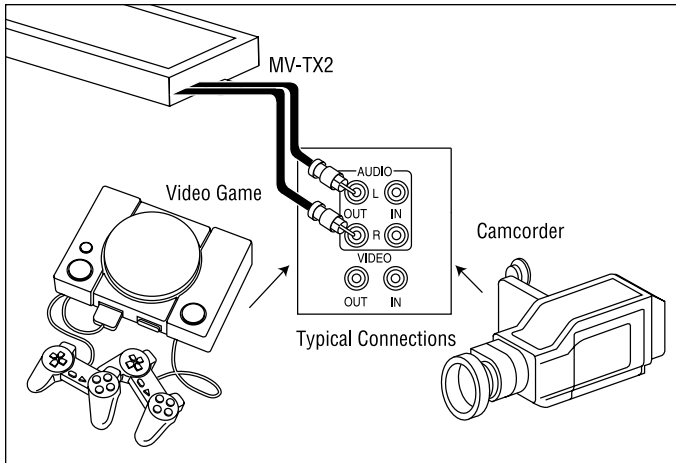


## Input Connection: (MV-TX2)

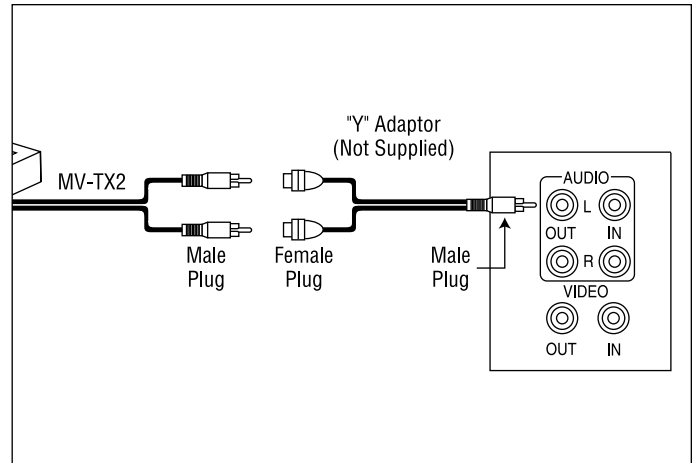
The MV-TX2 Accepts Low Level Signal in Stereo or Mono Mode.

**WARNING!** The inputs of the MV-TX2 can not be connected to the speaker outputs of any device. Check the owners manual of the device before proceeding.

1. Locate the "AUDIO" output jack(s) on the unit you are connecting the MV-TX1 to.
2. Plug the "RED" input jack of the MV-TX2 into the "RIGHT" audio output. Connect the "WHITE" input jack to the "LEFT" audio output.



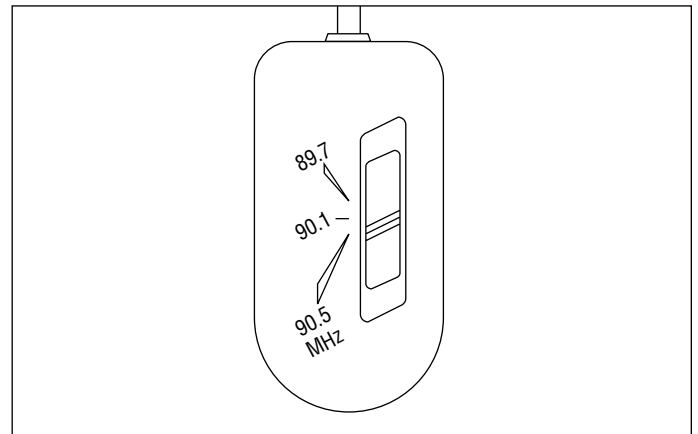
**Note:** If the unit you are connecting the MV-TX2 into only supplies 1 audio output jack (typical to non-stereo VCR, Video games and Camcorders), you must purchase a "Y" connector (1 male/2 female) to split the mono signal into 2 signals.



## Transmitter Frequency Selection:

The MV-TX1 and MV-TX2 will transmit a signal that can be received by any FM radio. 3 frequencies are provided and can be selected on the small switch controller provided with the unit. 1 frequency can only be used at one time. When you are listening to the signal provided by the MV-TX1 and MV-TX2, it is possible that you could travel through an area where interference between the FM listening device (Car radio or FM radio headphones) and the MV-TX1 and MV-TX2 is un-acceptable. If this occurs, you can use the 3 position frequency switch to select another frequency that may have less or no interference. Each time you change the transmitting frequency, you will have to re-tune the station on the FM receiving device to match the new frequency selection.

The 3 transmitting frequencies that are available are 89.7mHz, 90.1mHz and 90.5mHz.



## Troubleshooting:

**Problem:** You Can't Hear the Source Playing Through the Headphones or from the FM Car Radio.

- A. Test the "RED" and "BLACK" wire to insure that the red wire is connected to +12vdc and the black wire is connected to the vehicle frame.
- B. Check to make sure you are listening on the correct frequency. Look at the control head to view the frequency you are transmitting is "ON"
- C. Check the "VOLUME LEVEL" of the source (If applicable). Turn the volume up on the source to mid position.
- D. Check the "VOLUME LEVEL" on the headphones or the car radio.

**Problem:** The Sound has High Distortion

- A. Turn all "VOLUME CONTROLS" down below 1/4 volume.
- B. Check for "PINCEDED" or "SHORTED" input wires
- C. Make sure that the input "CONNECTION IS CORRECT".

**Problem:** Receiving Performance is Poor

This condition could be due to a multitude of reasons

- A. Change "FREQUENCIES" on the control head. A different frequency may have better performance.
- B. Turn "OFF" cellular phones and other devices that transmit a signal.

**Note:** If the performance cannot be improved by performing the steps above, a special antenna system can be added to your system to increase the performance up to 25%. Contact your dealer for further information.